

PERMIT

CITY OF NAPOLEON - BUILDING DEPARTMENT

255 West Riverview Avenue, Napoleon, Ohio 43545 - 419-592-4010

Permit No. 6-78 Issued 1-11-78
date

Job Location 412 Welsted
address

PT. Lot 11 OUTLOT
sub/div or legal discript

Issued By [Signature]
building official

Owner Dr. Wilson Stough 592-2015
name tel.

Address 412 Welsted

Agent Mort Cordes 758-3855
builder-eng.-etc. tel.

Address RR#4 Napoleon

Description of Use 3 Family Dwelling

Residential XX 3
no. dwelling units

Commercial _____ Industrial _____

New _____ Add'n. _____ Alter _____ Remodel XX

Mixed Occupancy _____

Change of Occupancy _____

Estimated Cost \$ 1,500.00

FEE	BASE	PLUS	TOTAL
BUILDING			
ELECTRICAL			
PLUMBING			
<input checked="" type="checkbox"/> MECHANICAL	\$6.00	-0-	\$6.00
DEMOLITION			
ZONING			
SIGN			
WATER TAP			
SEWER TAP			
TEMP. ELECT.			
ADDITIONAL PLAN REVIEW	Struct. _____ hrs Elect. _____ hrs		
TOTAL FEES.....			\$6.00
LESS MIN. FEES PAID _____ date			-0-
BALANCE DUE.....			\$6.00

ZONING INFORMATION

N/A

district	lot dimensions	area	front yd	side yds	rear yd
max hgt	no pkg spaces	no ldg spaces	max cover	petition or appeal req'd	date appr

WORK INFORMATION:

Size: Length _____ Width _____ Stories _____ Ground Floor Area _____

Height _____ Building Volume (for demo. permit) _____ cu. ft.

Electrical: n/a
brief description _____

Plumbing: n/a
brief description _____

Mechanical: Installing new gas forced air heating system.
brief description _____

Sign: _____ Dimensions _____ Sign Area _____
type

Additional Information: SEE ATTACHED ADDENDUM:

Date 1/12/78 Applicant Signature [Signature]
owner-agent

Permit No. 6-78 is being issued to Mr. Mort Cordes for heating work, in the three unit building at 412 Welsted. All construction on this project must conform to the regulations set forth in the B.O.C.A. Code. The contractor's attention is particularly called to the following Code sections:

Section M-303.1.1 - Furnace must be installed on non-combustible floor.

Table 303 - Furnace must be provided with 6" clearance on the sides and rear, and 24" clearance on the service side of the furnace.

Section M610.2 - Combustion air must be provided in an amount equal to 1 sq. in. per 5,000 btu input.

Section M610.4 - Requires a 25% factor if wood louvers are installed and a 75% factor if metal louvers are used. The contractor has indicated that he is going to use an 80,000 btu input furnace, therefore, if wood louvers are installed, the area of the louver would be 64 sq. in. If metal louvers are installed, the area of the louver would be 20 sq. in.



Robert E. Johnson
Dept. of Building & Zoning


Acknowledged

CITY OF NAPOLEON
BUILDING INSPECTION DEPARTMENT
APPLICATION FOR HEATING PERMIT
(PLEASE PRINT OR TYPE)

The undersigned hereby makes application for the installation, replacement or alteration of a heating system or device as herein specified, agreeing to do all such work in strict accordance with the City of Napoleon's adopted Mechanical Code for 1, 2 and 3 Family Buildings.

Owner's Name Wilson Stough Address 412 Webster
Contractor's Name Mort Cordes Address RR #4 Nap. Tel. 758-3855

BUILDING INFORMATION:

Single Family _____ Double Family _____ Multiple 3 FAM New Construction _____
Addition _____ Remodel X Replacement _____ No. of Stories 2

DESCRIPTION OF WORK

Heating System - Warm Air Hot Water _____ Steam _____ Electric _____

Unit Heaters _____ Unit Gas Heaters _____ Other _____

Type - Gravity _____ Forced Radiant _____

No. of Thermostatical Heating Zone _____

Hot Water - One Pipe _____ Two Pipe _____ Series Loop _____

Electric Heat - No. of Circuits _____ Other _____

Total Heat Loss of Area to be Heated _____ Btu.

Rated Capacity of Furnace/Boiler _____ Btu.

No. of Furnaces _____ No. of Hot Air Runs 7

No. of Hot Water Radiators _____ Type of Fuel _____

Heating Units Located: Crawl Space _____ Floor Level _____ Suspended _____

Roof or Exposed to Outside Air _____ Attic _____ Other _____

APPLICATION FOR PERMIT SHALL BE ACCOMPANIED BY TWO COMPLETE SETS OF PLANS INCLUDING: LOCATION OF FURNACE OR UNIT HEATERS AND SIZE AND LOCATION OF FEEDER DUCTS AND RETURN AIR DUCTS. ALL PLANS SHALL BE DRAWN TO SCALE.

ESTIMATED COST OF COMPLETED PROJECT: \$ 1,500

DATE 1-9-78 APPLICANT'S SIGNATURE Mort Cordes
OWNER-CONTRACTOR-AGENT

RESIDENTIAL PLAN CORRECTION SHEET

CITY OF NAPOLEON, Building Dept.
255 West Riverview Avenue
Napoleon, Ohio 43545
(419) 592-4010

ADDENDUM to Permit No. 6-78
Owner W. Stough
Location 412 Welsted

Please note the Items checked below and incorporate them into your plans as indicated: Permit not yet issued
 Correct Plans and Re-Submit. Permit issued Incorporate the items during construction.

GENERAL	
Provide 1 approved smoke detector.	Show size of members supporting porch roof.
Provide 1 hour fire wall and/or ceiling between garage and dwelling.	Provide double top plate.
Provide (Class B) 1 hour fire rated door from garage to dwelling.	Provide design data for pre-fab. wood truss/members.
Submit fully dimensioned plot plan.	Ceiling joists undersized in.....
Provide 1-3'0" x 6'8" exit door.	Roof rafters undersized in.....
Provide min. 22" x 30" attic access.	PLUMBING AND MECHANICAL:
Provide min. 18" x 24" crawl space access opening.	<input checked="" type="checkbox"/> Terminate all exhaust systems to outside air.
LIGHT AND VENTILATION:	<input checked="" type="checkbox"/> Insulate ducts in unheated areas.
Provide mechanical exhaust or window in bathroom.....	Provide back flow device on all hose bibs.
Provide Min. _____ sq. in. net free area attic ventilation.	ELECTRICAL:
Provide min. _____ sq. in. net free area crawl space ventilation.	Show location of service entrance and service equipment panel.
FOUNDATION:	G.F.C.I. req'd. on Temp. Electric.
Min. depth of foundation below finished grade 30".	Outdoor and bathroom receptacles shall be protected by G.F.C.I.
Min. size of footer....." x"	METAL VENEERS:
Provide anchor bolts 1/2" @ 8' o.c. 1' from each corner. Embedded 8" concrete and 15" in masonry.	Contact City Utilities Dept. to remove conductors and/or meter.
Show size of basement columns.	Provide 18" x 18" x 3/4" wood backer for meter base.
FRAMING:	<input checked="" type="checkbox"/> Provide approved system of grounding and bonding.
Show size of wood girder in.....	MISCELLANEOUS:
Provide design data for structural member in.....	Provide backwater valve in sub-soil drain tile.
Floor joists under sized in.....	Provide approved sheathing and flashing behind masonry veneer.
Provide double joists under parallel partitions.	Provide 15# felt underlayment on roof.
Provide 1" x 4" let in corner bracing or approved sheathing.	Provide adequate fireplace hearth extensions
Show size of headers for openings over 4' wide.	Install factory built fireplaces/stoves according to manufacturers recommendations.
	Terminate chimney 3' above roof or 2' above highest point of building within 10' of chimney.

ADDITIONAL CORRECTIONS: _____

The approval of plans and specifications does not permit the violation of any section of the Building Code, or other City Ordinance or State Law. This addendum is attached to Permit No. 6-78 and made a part thereof.

Date Approved or Disapproved _____

Checked By *[Signature]*
 Plan Examiner

Date Rechecked and Approved _____

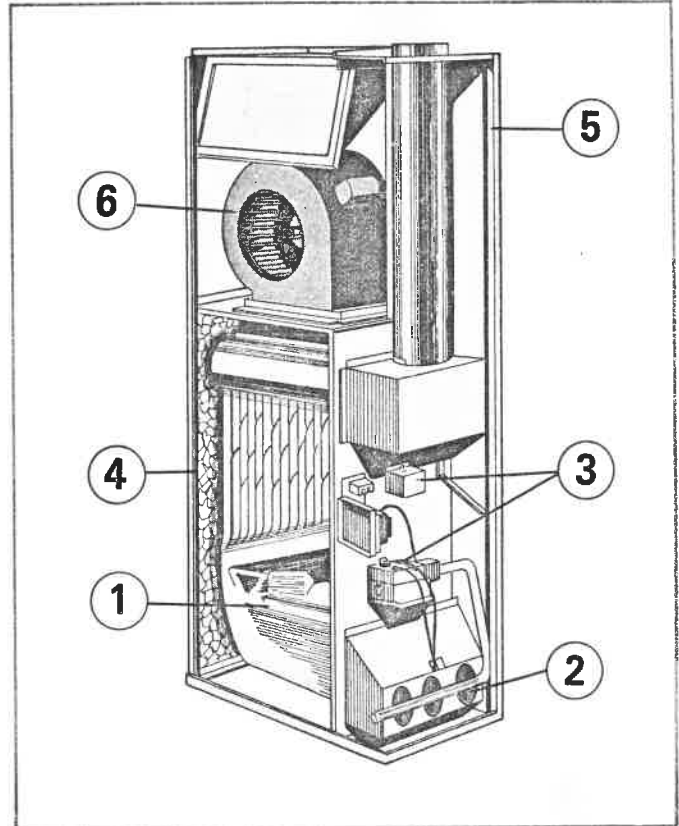
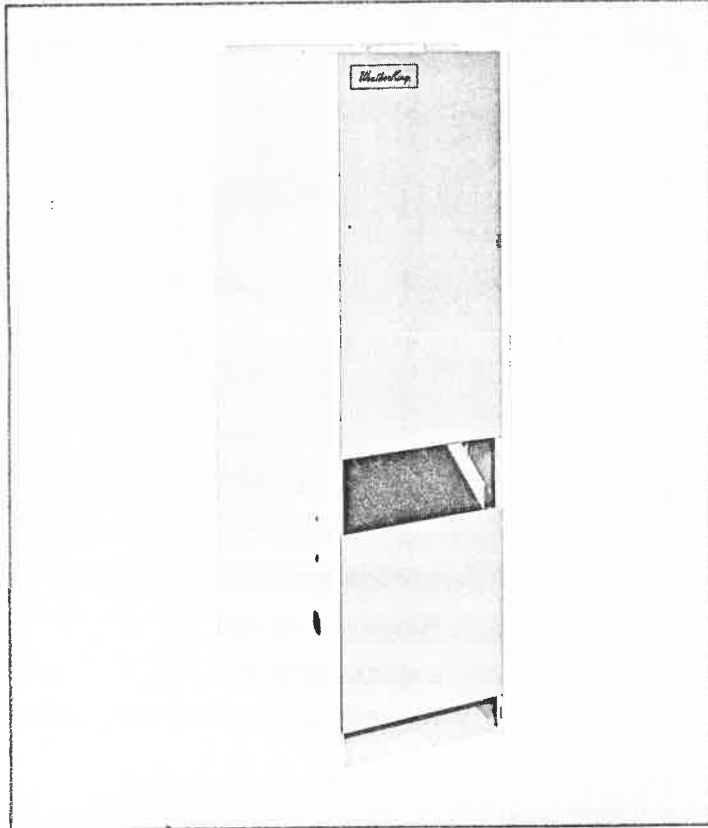
Checked By _____

Counterflow Gas Furnace

MODEL GD

Designed for basementless home the Counterflow gas furnace ranges from 80,000 to 175,000 Btuh capacities. These models are popular for perimeter heat systems, where ducts are installed in foundation

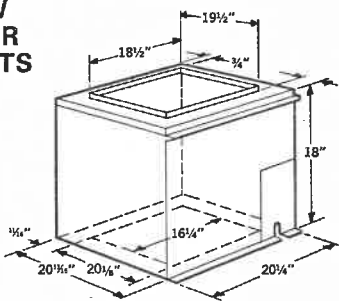
slabs or crawl spaces. Fire tested for efficiency, sound tested for quiet operation. Central air conditioning can be added easily and economically to a Counterflow gas heating system.



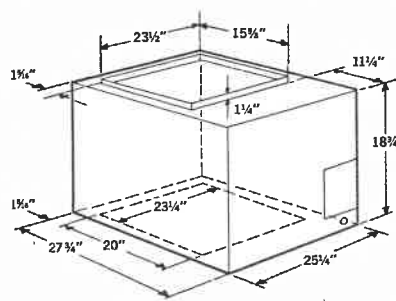
- 1. LOWER FUEL CONSUMPTION.** The "waffle contour" heat exchanger creates and controls the rapid swirling of gases so that no "hot spots" occur, which can cause a failure. It also accomplishes a very high rate of heat transfer which can lower your fuel costs.
- 2. BURNERS** are made of aluminized steel for long life and efficient fuel utilization on natural or propane gas. Sheet metal enclosure eliminates rattles, insures proper burner alignment.
- 3. FULLY AUTOMATIC.** Quality controls are used and designed for long life, reliable operation, and minimum servicing. Air conditioning models include heavy duty transformer and blower relay as standard feature!

- 4. INSULATION.** A thick blanket of fiberglass and aluminum foil keeps the heat in the airstream where it belongs. It also helps to conserve fuel and acts as a good sound barrier.
- 5. APPLIANCE STYLING.** Cabinets are welded together to keep them strong and vibration-free. The exteriors are finished in two-tone beige and pastel green baked-on enamel. The draft diverters are fully enclosed which gives the furnace a smart, trim appliance-like look.
- 6. BALANCED AIR BLOWER.** Motor and blower are dynamically balanced and mounted for exceptionally quiet operation and accurate control of the air delivery.

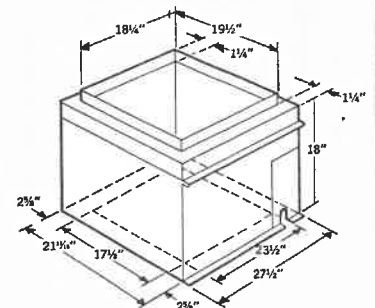
DOWNFLOW EVAPORATOR COIL CABINETS



DP2436

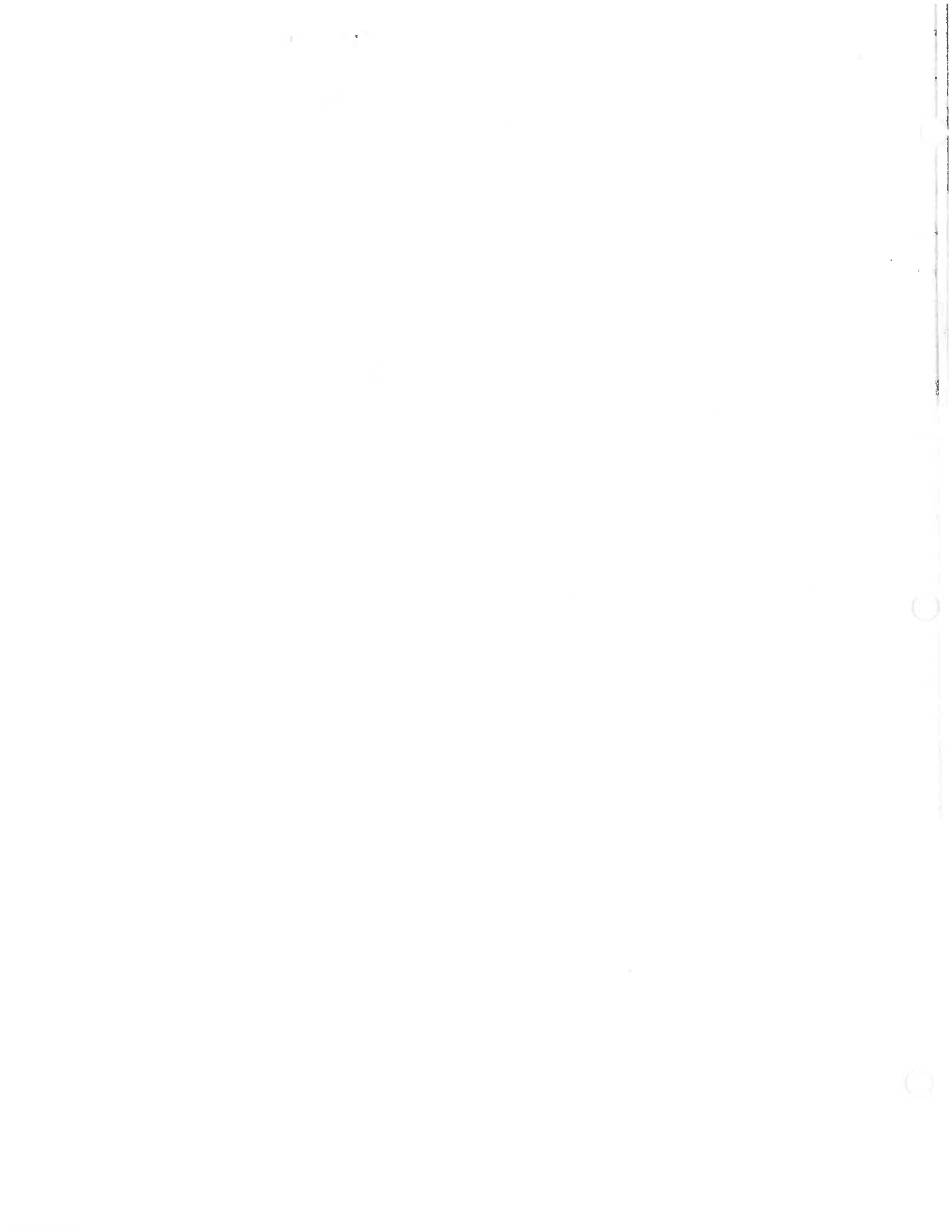


DP48



DP60A

Cabinet No.	DP2436	DP48	DP60A		DP2436	DP48	DP60A
TAKES COIL MODEL	CF836-A, CFS24, CFA30, CFA36	CFA48	CFA60D	FITS FURNACE MODELS	GD80F, GD100F, GD125F, GD150F	GD125F, GD150F	GD175F



COUNTERFLOW DIRECT DRIVE GAS FURNACES

Model Number	GD80F-D	GD80F-D2.5	GD100F-D	GD100F-D3	GD125F-D	GD125F-D3
Input BTUH ¹	80,000	80,000	100,000	100,000	125,000	125,000
Bonnet Capacity BTUH ¹	64,000	64,000	80,000	80,000	100,000	100,000
Heat Connection (Speed Tap) ⁵	Low	Low	High	Med.	Med.	Med.
CFM @ 85° Temperature Rise ²	650	650	810	810	1015	1015
Cooling CFM @ 5" E.S.P.	—	860	—	1230	—	1200
Nominal Tons Cooling	Heat	2½	Heat	3	Heat	3
Blower Size Nominal	9"	9"	9"	10"	10"	10"
Blower Wheel Size, Dia. x W.	9" x 7"	9" x 7"	9" x 7"	10" x 7"	10" x 9"	10" x 9"
Motor H.P.	⅛	¼	⅛	¼	¼	¼
Number of Speeds	2	3	1	2	2	2
Filters (Standard ⁶)	(2) 10" x 20"	(2) 10" x 20"	(1) 10" x 20"	(2) 10" x 20"	(2) 16" x 20"	(2) 16" x 20"
Gas Pipe Size (Nat.)	½"	½"	½"	½"	½"	½"
Gas Pipe Size (L.P.)	½"	½"	½"	½"	½"	½"
Approximate Shipping Weight	166	167	167	169	202	202
Optional Comb. Floor Base ³	CFB-16G	CFB-16G	CFB-16G	CFB-16G	CFB-20G	CFB-20G

COUNTERFLOW DIRECT DRIVE GAS FURNACES

Model Number	GD125F-D5	GD140F-D	GD140F-D5	GD175F-D	GD175F-D5
Input BTUH ¹	125,000	140,000	140,000	175,000	175,000
Bonnet Capacity BTUH ¹	100,000	112,000	112,000	140,000	140,000
Heat Connection (Speed Tap) ⁵	Low	—	Med. Low	—	Med. Low
CFM @ 85° Temp. Rise ²	1015	1215	1215	1420	1420
Cooling CFM @ 5" E.S.P.	1920	—	1920	—	2060
Nominal Tons Cooling	5	Heat	5	Heat	5
Blower Size Nominal	11"	11"	11"	11"	11"
Blower Wheel Size Dia. x W.	11" x 10"	11" x 10"	11" x 10"	11" x 10"	11" x 10"
Motor H.P.	¾	¼	¾	½	¾
Number of Speeds	4	2	4	2	4
Filters (Standard ⁶)	(2) 16" x 20"	(2) 16" x 20"	(2) 16" x 20"	(1) 16" x 20" (1) 20" x 20"	(1) 16" x 20" (1) 20" x 20"
Gas Pipe Size (Nat.)	½"	½"	½"	½"	½"
Gas Pipe Size (L.P.)	½"	½"	½"	½"	½"
Approximate Shipping Weight	203	202	218	250	250
Optional Comb. Floor Base ³	CFB-20G	CFB-20G	CFB-20G	CFB-25G	CFB-25G

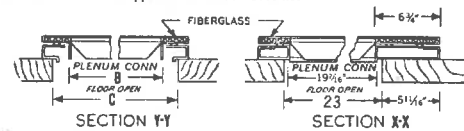
NOTES: All furnaces are AGA certified for reduced clearances (1" plenum and sides, 0" back with 6" in front when used with type B1 vent) and for use on combustible base floor. 1. Ratings shown are for elevations up to 2,000 ft. above sea level; for elevations above 2,000 ft. reduce ratings by 4% per 1,000 ft. for each 1,000 ft. above sea level. 2. CFM capacities are not maximum available, but are the normal for heating applications. 3. Counterflow models approved for use on combustible flooring only when installed on special factory-furnished floor base. 4. All models also include 100% pilot safety, pilot filter, pilot valve, manual main shut off valve, transformer, aluminized steel burners and 10-year heat exchange warranty. 5. Motor should not be connected to a lower speed tap than as indicated by heat connection speed tap. 6. Standard filter shipped with furnace does not fit optional side filter rack.

PROPANE CONVERSION KITS

Kit No.	7601-93	7601-94	7601-95	7601-96
Used On	GD80F	GD100F	GD125F GD140F	GD175F

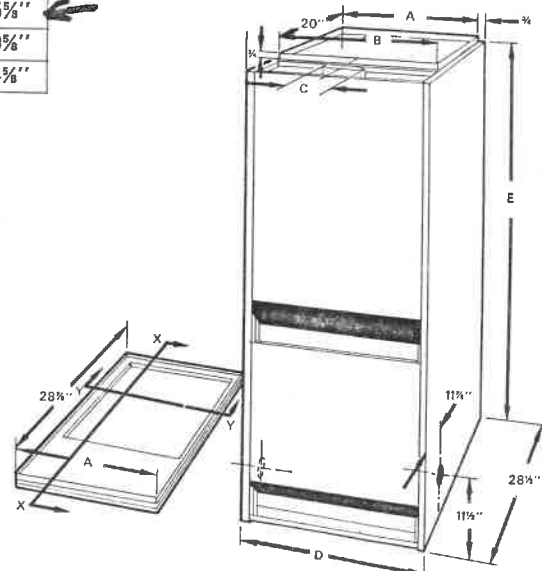
COMBUSTIBLE FLOOR BASE (Optional) (A.G.A. Approved)

SIZE	A	B	C
CFB16-G	16¾"	12½"	15½"
CFB20-G	20¾"	16¾"	19¾"
CFB25-G	25¾"	21¾"	24¾"



DIMENSIONS

MODEL NUMBER		GD80F-D GD80F-D2.5	GD100F-D GD100F-D3	GD125F-D GD125F-D5 GD125F-D3	GD140F-D GD140F-D5	GD175F-D GD175F-D5
Casing Width	A	16¾"	16¾"	20¾"	20¾"	25¾"
Return Plenum Width	B	14¾"	14¾"	18¾"	18¾"	23¾"
Vent Size	C	4" RD.*	5" RD.	5" RD.	6" Oval	7" Oval
Floor Opening Width	D	14¾"	14¾"	18¾"	18¾"	23¾"
Casing Height	E	58	58	62	62	62



ADDISON PRODUCTS COMPANY

ADDISON PRODUCTS CO.
P.O. Box 100
Addison, Michigan 49220
(517) 547-6131

DEARBORN STOVE CO. DIV.
P.O. Box 28426
Dallas, Texas 75228
(214) 278-6161

WEATHERKING, INC.
P.O. Box 20434
Orlando, Florida 32814
(305) 894-2891

